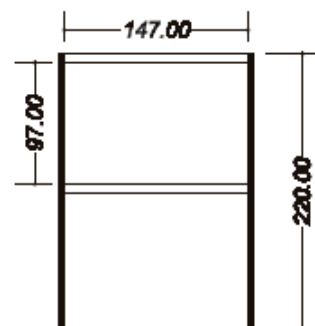


Poster Instructions

Date of Poster Session	Session	Poster Mounting time	Presentation Time	Poster Removal time
Saturday, 16 May 2009	I	12:00 – 13:30	15:30 – 16:30	18:30 – 19:00
Sunday, 17 May 2009	II	08.00 – 09.00	12:30 – 13:30	17.00 – 18.15
Sunday, 17 May 2009	III	08.00 – 09.00	13:30 – 14:30	17.00 – 18.15
Monday, 18 May 2009	IV	08.00 – 09.00	12:30 – 13:30	17.00 – 18.15
Monday, 18 May 2009	V	08.00 – 09.00	13:30 – 14:30	17.00 – 18.15
Tuesday, 19 May 2009	VI	08.00 – 09.00	12.30 – 13.30	15.00 – 16.00

Presenters are requested to stand by their poster during the Presentation Time allocated to them in the acceptance email.

- Max. poster measurements: **width: 147 cm x height: 97 cm (horizontal presentation)**
- We suggest you design your poster layout in the following sections:
 - Title, author, address (on the upper edge, across the width of the whole poster)
 - Introduction and Purpose
 - Methods
 - Results
 - Conclusions
- The title should be emphasised by the use of a bold type face. This writing should be easily readable at a distance of 2 – 3 meters.
- The text can be broken up by the inclusion of drawings, charts and photos.
- To promote your work you may like to bring handouts for distribution to interested delegates.
- Poster numbers will be provided and affixed to each poster wall. Your poster number can be found on the congress website under "Scientific programme" from the end of March www.escmid.org/eccmid2009
- Material to affix the posters will be provided.
- Please strictly adhere to the mounting and removal times. If the poster has not been removed by the end of the allocated removal time, it will be disposed of by congress staff.
- From the end of March a link can be found on the congress website to a professional **poster production service**. www.escmid.org/eccmid2009
- An electronic version of your poster is requested for a CD-ROM which is being produced. Further details will be sent to you by Marathon International, the company in charge of this product. Your electronic poster will be available for continuous viewing throughout the entire congress.
- Authors are requested to be present at their poster during the whole time of the poster presentation. If a presenting author withdraws an abstract after 10 March 2009, or does not present the poster in the scheduled session, a penalty will incur prohibiting the author from presenting papers at the ECCMID meetings for a period of 3 years. Those subject to this penalty will be informed in writing.



Should you have any questions, please do not hesitate to contact the Administrative Secretariat in Basel, Switzerland: Phone: +41 61 686 77 22 / Fax: +41 61 686 77 88 / E-mail: abstracts.ch@congrex.com